

STANDARD PATIO PLAN

ADDRESS _____

APN # _____

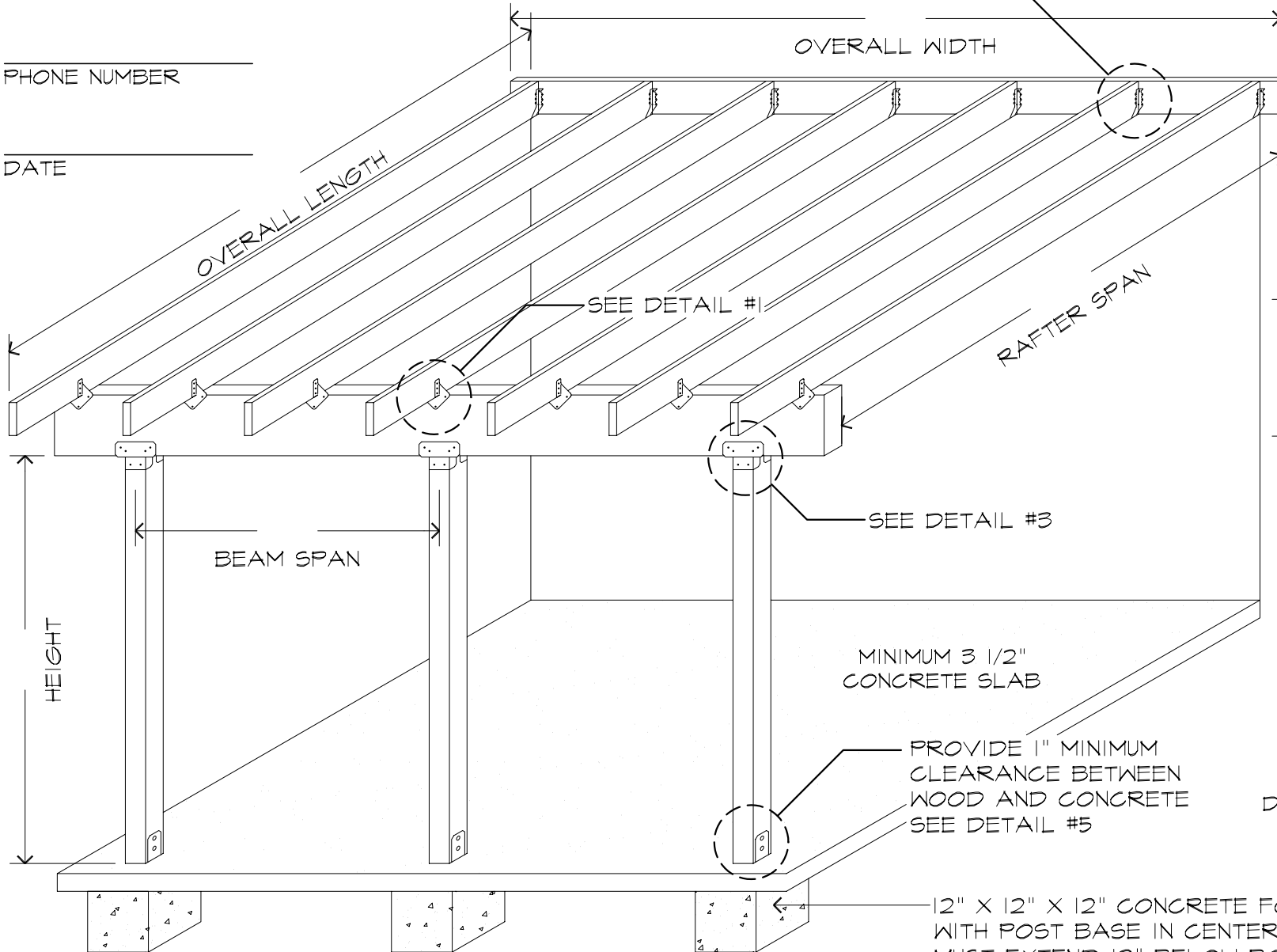
OWNER'S NAME _____

PHONE NUMBER _____

DATE _____

SEE DETAIL #2 & #4
FOR TYPE OF
ATTACHMENT

ROOF MUST HAVE A
MINIMUM 1/2" PLYWOOD
OR OSB SHEATHING
NAILED @ 6" O.C.
EDGES & 12" FIELD
USING 8d NAILS, WITH
15LB FELT AND
ROLLED ROOFING.



NOTE: ASPHALT
SHINGLES CANNOT BE
USED UNLESS THE
ROOF SLOPE IS MORE
THEN 2" PER FOOT.

TOTAL SQUARE FEET
LENGTH X WIDTH

____ X ____ = ____ S.F.

RAFTER SIZE

____ X ____ @ ____ O.C.

BEAM SIZE

____ X ____

POST SIZE

____ X ____

SEE OTHER SIDE FOR
DETAILS, SIZE SCHEDULES,
AND HARDWARE.

MINIMUM 3 1/2"
CONCRETE SLAB

PROVIDE 1" MINIMUM
CLEARANCE BETWEEN
WOOD AND CONCRETE
SEE DETAIL #5

12" X 12" X 12" CONCRETE FOOTING
WITH POST BASE IN CENTER. FOOTING
MUST EXTEND 12" BELOW BOTTOM OF SLAB

PATIO LUMBER DETAILS

PLANS TO SUBMIT FOR PLAN CHECK:

1. PLOT PLAN: SHOWING THE LOCATION OF PATIO IN RELATIONSHIP WITH HOUSE. DIMENSIONS FROM PROPERTY LINES. DIMENSIONS FROM ALL OTHER STRUCTURES.
2. FLOOR PLAN: SHOWING SIZE AND SPACING OF ALL MATERIALS. DIMENSIONS OF PATIO COVER. LOCATION AND SIZE OF FOOTINGS. (THIS SHEET WILL WORK FOR THE STANDARD PATIO).
3. STRUCTURAL PLAN: CROSS SECTION SHOWING METHOD OF ATTACHMENT TO STRUCTURE IF STANDARD PATIO WORKSHEET IS NOT USED.

RAFTER SIZE	SPACING	SPAN ALLOWED
2 X 6	12"	13'-0"
	16"	11'-3"
	24"	9'-2"
2 X 8	12"	17'-1"
	16"	14'-10"
	24"	12'-1"
2 X 10	12"	21'-10"
	16"	18'-11"
	24"	15'-5"
2 X 12	12"	N/A
	16"	23'-0"
	24"	18'-9"

BEAM SIZE	SPAN
4 X 6	6'-0"
4 X 8	8'-0"
4 X 10	10'-0"
4 X 12	12'-0"

